

# Data Sheet

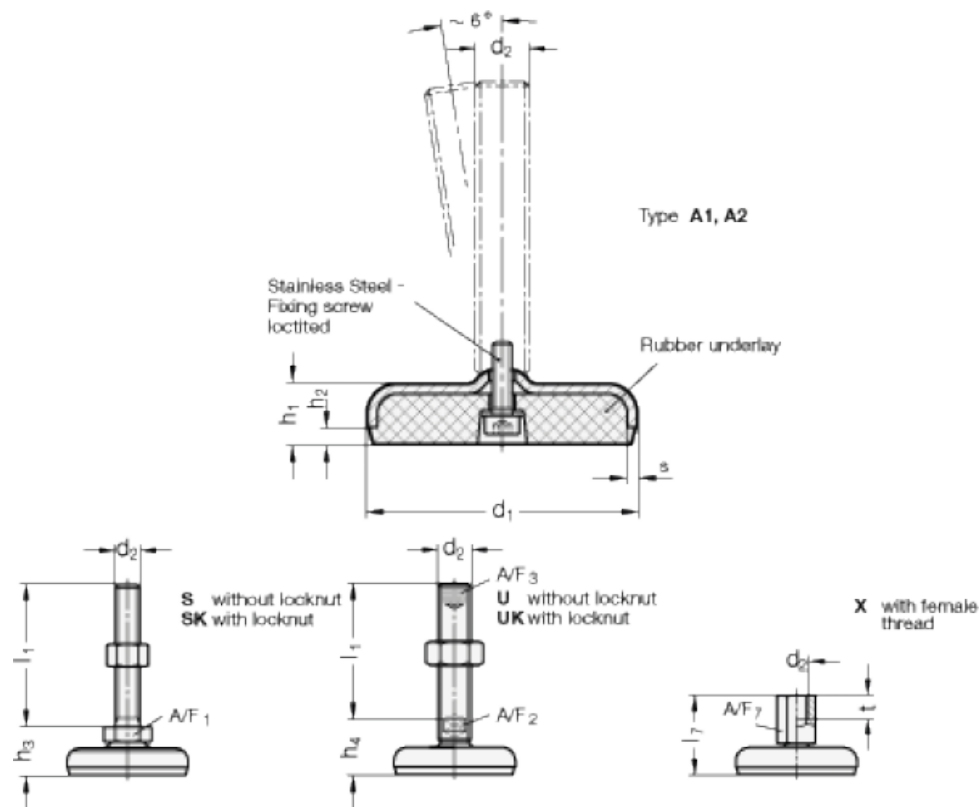


Article number: 2030100M20150A1U

Description: E+G levelling foot  
GN 30-100-M20-150-A1-U

Note: U Without nut, Hexagon socket at the top, Wrench flat at the bottom

## Measures



A/F2 = 15  
A/F3 = 10  
d1 = 100  
d2 = M20  
h1 = 20  
h2 = 6  
h4 = 35  
l1 = 150

s = 3